

# Make the most of your home with a Brooks Stairlift

Mr Frederick Brooks, a Daimler engineer, made his first stairlift in 1973. Almost 40 years later, by combining today's advanced technology with a tradition of reliability and comfort, we guarantee that the Brooks Lincoln Stairlift will help you make the most of your home.

Safety and comfort come first with the Brooks Stairlift. Self-charging DC power packs mean the lift is whisper quiet, incredibly smooth and will function even during a power cut. The slimline motor provides years of smooth, steady service, while its host of innovative features offer exceptional safety and comfort.

For over thirty years, we have provided the finest stairlifts to our customers. Ours is a heritage based on quality and service – a heritage you can trust. Join the thousands worldwide, who associate 'Brooks' with excellence.

We remain true to our guiding principles of quality and care. Here are just a few of the features that set us apart.

- *Ultra quiet operation*
- *Option to sit or stand*
- *Perch option available*
- *Numerous Safety sensors*
- *Soft start and stop*
- *UL listed*
- *Renowned reliability*
- *Rapid response and delivery*

Safety and comfort come first at Brooks. The stairlift uses DC power packs that are automatically recharged when the stairlift is at rest. This means that the lift is ultra quiet, incredibly smooth and will function even during a power outage.

Brooks Stairlifts have slimline motors that provide a steady start / stop action and many years of faithful service. When you purchase a Brooks Stairlift, you are buying freedom – not costly maintenance. We are only a phone call away and our experts can give you all the advice you need.

Every member of the Brooks team has been trained to the highest standard. From your Authorized Brooks Dealer to the technician who services your stairlift, our care and attention to detail is second to none.

*“Ordering and receiving our Brooks Stairlift through our local dealer was far easier and quicker than I expected. Installation was clean and trouble-free. It's all been so simple and it has really given us back our freedom.”*

**Mr S. Berg, Philadelphia, PA**



# Anatomy of the Brooks Stairlift

What makes the Brooks the leading stairlift in the world? It is a combination of thoughtful design, top class engineering, reliability and user friendly features.



Every part of the stairlift has been designed with you in mind. Each feature is the result of careful consideration in response to the requirements of the stairlift user. We listen, and then we produce the best solution.

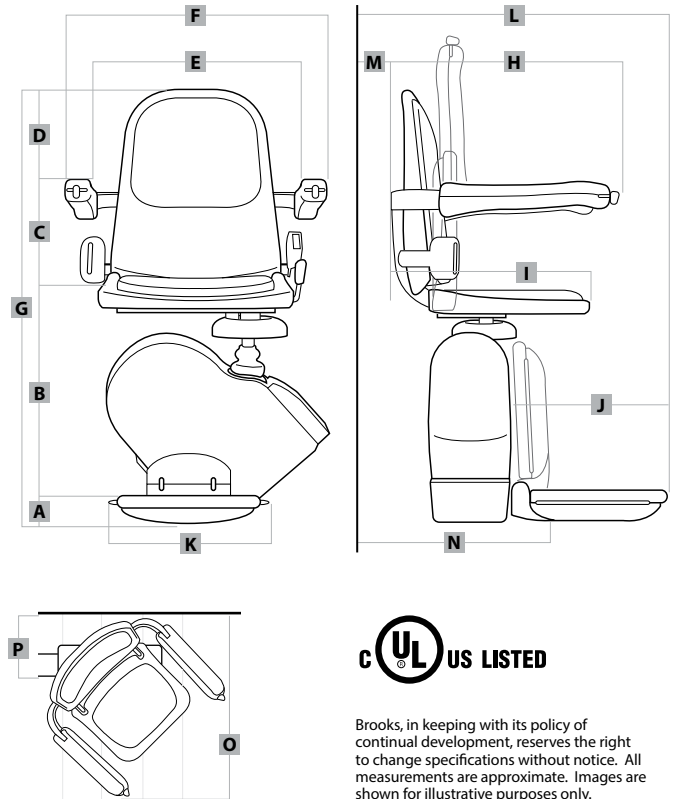
- 1** Padded seat and backrest.
- 2** Easy to use controls.
- 3** Secure safety belt.
- 4** Folding arms, footrest and seat allow easy access to the stairway.
- 5** Swivel seat - no need for twisting the body to get on and off the lift.
- 6** Lockable on/off switch allows the user to prevent others from using the lift.
- 7** Diagnostic digital display informs the user of the status of the lift.
- 8** Five safety sensors stop the lift automatically if any obstruction is encountered.

## Dimensions

	mm	inch
<b>A</b> Floor to top of footrest	85	3½
<b>B</b> Top of footrest to top of seat	445	17½
<b>C</b> Top of seat to top of arms	230	9
<b>D</b> Top of arms to top of seat back	250	10
<b>E</b> Width between armrests	445	17½
<b>F</b> Overall width	540	21¼
<b>G</b> Overall height	940	37
<b>H</b> Length of arms from seat back	470	18½
<b>I</b> Length of seat base from seat back	410	16
<b>J</b> Length of footrest	325	12¾
<b>K</b> Width of footrest	310	12¼
<b>L</b> Front of footrest to stringer	585	23
<b>M</b> Back of seat to stringer	40	1½
<b>N</b> Folded width	325	12¾
<b>O</b> Minimum width required to swivel at top	670	26½
<b>P</b> Distance from front of rail to stringer	250	10

## Specifications

<b>Motor Power</b>	0.25KW
<b>Motor Output Speed</b>	No greater than 0.15 m/s
<b>Method of Drive</b>	Rack and Pinion
<b>Power Supply</b>	24V DC (battery)
<b>Maximum Capacity</b>	300lbs (optional 350lbs)
<b>Track</b>	Extruded Aluminium
<b>Mains Supply</b>	120V AC, 1.5 Amp Charger



Brooks, in keeping with its policy of continual development, reserves the right to change specifications without notice. All measurements are approximate. Images are shown for illustrative purposes only.

**Sit/Stand Stairlift** gives the user the choice whether to sit or stand.



**Perch Stairlift** is ideal for customers who may have trouble sitting or bending at the knee.



Dealer Stamp

